

Heat Exchangers

Saint Clair Systems makes a variety of heat exchangers to satisfy the special requirements of Paint, Sealant and Adhesive temperature control.

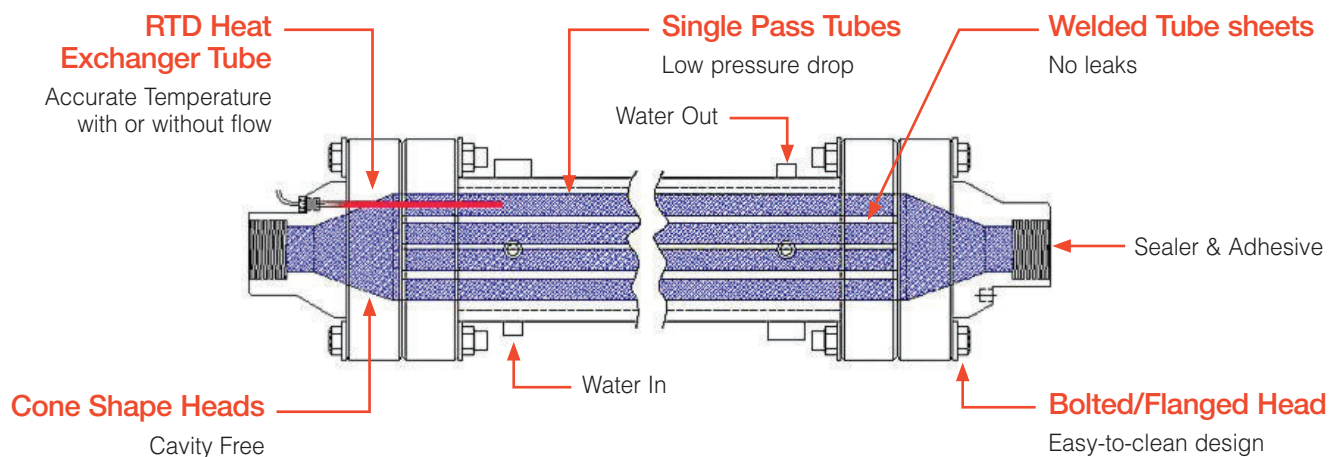


- High pressure designs
- Corrosion resistant materials
- High viscosity
- Low pressure drops
- Smooth flow
- Special connection types
- Certifications

High Pressure Heat Exchangers

High pumping pressures are needed for the application of very high viscosity materials such as sealers and adhesives. Saint Clair Systems has developed heat exchangers for this service.

The heat exchangers are computer selected for optimum thermal size, pressure drop and length. Three basic shell diameters are available in many lengths.



High Pressure ■ Rated to 5000 PSI working & 9000 PSI test

Certifications ■ CRN ■ CE

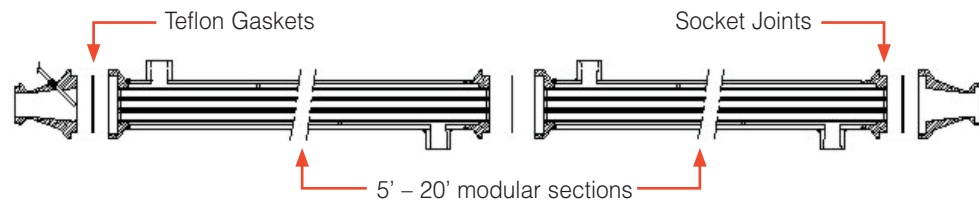
Paint Heat Exchangers

“Straight-Flo” Paint Heat Exchangers—Exclusively from Saint Clair Systems

- **Three shell diameters standard**
Covers most paint flow and thermal system requirements.
- **Saint Clair Systems unique modular paint heat exchanger design**
Sections join end to end using sanitary connections. Any thermal need can be achieved.
- **Linear design**
The heat exchangers are mounted in place of the paint supply piping, saving floor space and pressure drop.
- **Paint construction**
All Stainless Steel Construction with Teflon gaskets
- **Single pass construction with clamp type connections**
Low pressure drop and easy inspection

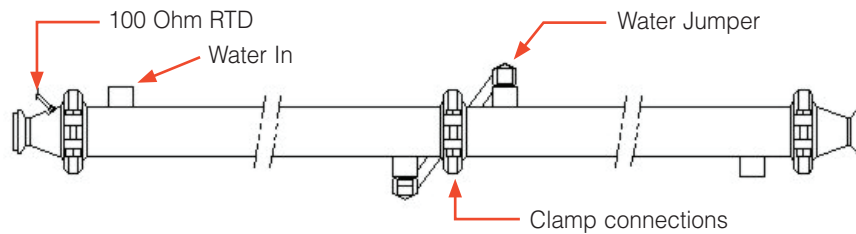
Cavity-free heads and tube sheets

Minimizes areas where paint can accumulate as contaminates



Multi-Tube design

Maximum heat transfer area while maintaining minimum velocity



Saint Clair Systems also supplies plate & frame and helical coiled tube heat exchangers for paint temperature service.

Specialized Heat Exchangers

Saint Clair Systems makes customized heat exchangers to fit your needs which include products like:

- Water Jacketed tanks
- Tube in tube heat transfer
- Clamp on jackets
- Water traced covers